



Tratto

Design radiator

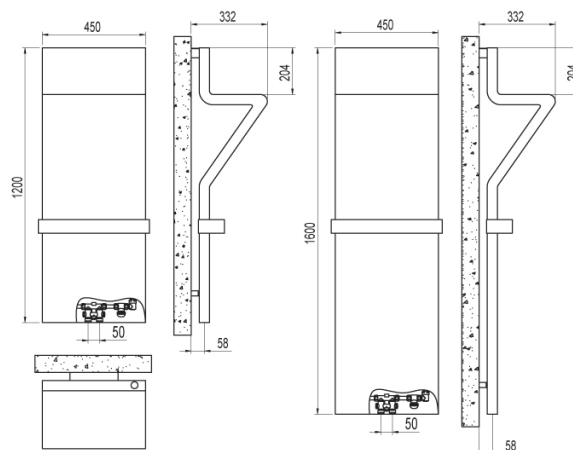
A design that is not an end unto itself. Tratto combines an extremely modern and elegant design with a new concept of the "towel holder" function.
Available in water-connected and electric versions with wireless control.

Technical features:

- radiating panel
- 1/2" Gas right threading
- maximum working pressure 4 bar
- maximum working temperature 95°C
- this radiator is already fitted for the insertion of the optional thermostat head

Standard supply:

- water connection system installed on the product complete with fittings for connection to copper pipes (10, 12, 14, and 16 mm diameter) and multilayer pipes (14 x 2 thick and 16 x 2 thick)
- wall fixing system;
- accessory holder bar
- air vent



Tratto	TRTM045B xx IRNNA	326	1200	450	50	21.90	1.68	500	381	268	163	1.222
Tratto	TRTL045B xx IRNNA	326	1600	450	50	28.30	1.94	700	531	372	225	1.240
Tratto with led	TRTM045B xx IRLNA	326	1200	450	50	21.90	1.68	500	381	268	163	1.222
Tratto with led	TRTL045B xx IRLNA	326	1600	450	50	28.30	1.94	700	531	372	225	1.240
Tratto	TRTM045B xx IRNNA	326	1200	450	50	21.90	1.68	500	381	268	163	1.222
Tratto	TRTL045B xx IRNNA	326	1600	450	50	28.30	1.94	700	531	372	225	1.240
Tratto with led	TRTM045B xx IRLNA	326	1200	450	50	21.90	1.68	500	381	268	163	1.222
Tratto with led	TRTL045B xx IRLNA	326	1600	450	50	28.30	1.94	700	531	372	225	1.240

XX = colour option.

Heat output are estimated and are undergoing certification. Power calculated with $t = 50^{\circ}\text{C}$. For t different from 50°C use the formula: $Q = Q_n (t / 50)^n$